

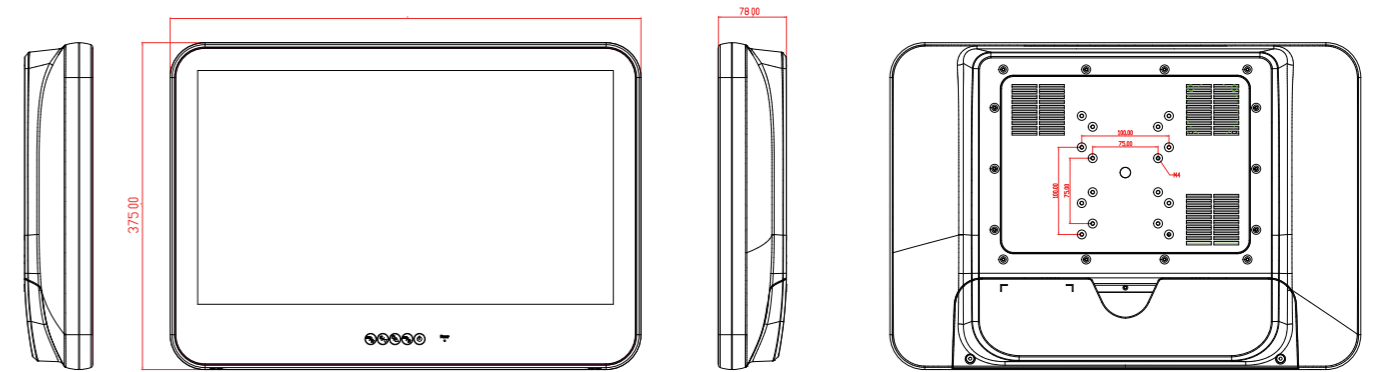
Key Features



- 21.5" True Color Diagnostic Panel
- Anti-bacteria (MRSA) Plastic Housing
- IP65 at Front Side
- Built-in a Pair of 1.5W Stereo Speakers
- Support HDMI, DP, DVI-D, Audio-in
- Support Optional Desktop Stand, and VESA75/100
- IEC60601-1-2 4th Edition Compliance
- RoHS2 compliance



Outline Drawing



LCD Panel

Size	21.5" wide 16:9
Resolution	Full HD 1920 x 1080
Color numbers	16.7M colors (8 bit)
Viewing angle	178 (H) / 178 (V)
Contrast	3000:1 (Typ)
Brightness	250 nits (STD) / 350 nits (DICOM)
Response Time (ms)	18 (Typ)
Backlight	LED
LCD MTBF(hrs)	30,000

I/O & Control Keys

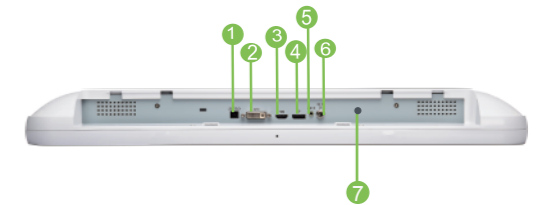
USB	USB 2.0 input x 1 (for USB touch controller)
Audio input	3.5mm phone jack connector * 1 (Line-in)
DVI input	DVI-D x 1
DP input	DP x 1
HDMI input	HDMI 1.4a x 1
DC-in Jack	12V DC-in Jack
Speaker output	1.5W x 2
Control keys	From right to Left Indicator/ Hot Key (Power Button // Auto / OSD OFF // Up / Speaker adjust // Down / Mute // Menu / Enter)

Options

- WMP Stand, VESA 75/100, 10kg, white, L type,
- HDMI cable
- AG film (Can not co-exist with DICOM module)
- Compatible to DICOM Part 14 (optional panel)

Packing List

- Medical power adapter 63W x 1
- Power cord x 1
- M4 Screws x 8
- DP cable x 1
- 3.5mm audio cable x 1
- USB 2.0 cable x 1



- 1 USB
- 2 DVI-D
- 3 HDMI x 1
- 4 DP x 1
- 5 Line in x 1
- 6 DC in
- 7 Equipotential terminal pin

Touch Panel

Type	Full flat projective capacitive touch panel (10 fingers)
Light transmission	90% ± 3%
Hardness	7H pencil, pressure 750g/ 45°
Life time	100M times

Power

Power input	DC12V, 63W MAX
Power adapter	AC input 100 ~ 264V / 47 ~ 63 Hz / DC output 12V
LED status indicator	Front bezel in power button / Green

Mechanical & Environmental

Housing	Plastic/ Hospital white
IP rating	IP65 – front side, IPx1 whole system
Operating Temp.	0~40°C (Bum-in, not airtight)
Storage Temp.	-20~60°C
Dimension	540 (H) x 375 (V) x 78 (T) (mm)
Weight (net)	TBD kg (w/o power adapter)
Shock	Operating: 15g/0.53 oz, 11 ms, half sine wave
Vibration	Operating: 5 ~ 17 Hz , Amplitude : 0.1 17 ~ 500Hz , Acceleration : 1.0G
Drop	3 Feet height free drop pass
Humidity	Operating & storage-10%~90%, non-condensing
Kensington lock hole	One at bottom
Certification	Meet CE/FCC/VCCI Class B, IEC60601-1-2 4th Edition

Ordering Information

WMD-223 PA	W/ Touch	21.5" Full Flat Touch Medical Grade Display
WMD-223 DICOM	W/ Touch	21.5" Full Flat Touch Medical Grade Display with DICOM part 14 compatible

