

WMP-24MD

Medical AIO Core™ Fanless



Features

- Intel® 10th Gen Core™ 35W Max.
- 23.8" FHD 1920x1080 MVA LCD panel
- Medical Certification MDR 2017/745 Ready
- Anti-Bacteria (MRSA) Plastic Housing
- P-Cap Multi-Touch Panel
- Fast Booting w/M.2 NVMe SSD
- PCIe16 Expansion Card Up to 20W
- Optional Rear IP54 Solution
- Optional DICOM Part 14 Compliance
- Optional ISO 4KV LAN/COM/USB Module

Specification

Model	WMP-24MD IPOA (STD)	WMP-24MD IPOB (ISO)
CPU / Chipset	Intel® 10 th Gen. Core i7/i5/i3/Pentium/Celeron Processor (35W Max.) / Q470E Chipset	
Graphic	Intel® integrated UHD Graphics	
RAM	Two 260-pin SODIMM Dual Channel DDR4 2933/2666/2400 MHz, non-ECC, up to 64GB	
OS Support	Optional Windows 10 IoT Enterprise, Windows 11 IoT Enterprise	
Storage	1 X M.2 (M Key, 2280) w/PCIex4 & SATA3 for SSD, 1 X 2.5" SATA3 HDD/SSD drive bay	
Expansion	1 X M.2 E Key 2230, 1 x M.2 (B/M Key 2242/2260/2280) w/PCIe, 1 x PCIe16 (20W Max.)	
Display Size	23.8" wide MVA Diagnostic LCD (16:9)	
Display	1920 x 1080 (Full HD), 16.7M colors (MVA, 8 bit), 178(H) / 178(V), 250 nits (Typ. Center point), CR:3000 : 1 (Typ)	
Touch Screen	Full Flat P-Cap Touch Panel / Light Transmission: 90% ± 3% / Hardness: 7H pencil, Pressure 750g/45° / Life: 100M times	
USB	4 x USB3.2 Gen II	4 x USB3.2 Gen II, 1 x 4KV ISO USB2.0
COM	1 x RS232, 1 x RS232/RS422/RS485	1 x 4KV ISO RS232, 1 X 4KV ISO RS232/RS422/RS485
LAN	1 x RJ45 1Gbps Intel® I219LM (AMT/Vpro) 1 x RJ45 2.5Gbps Intel® I225V	1 x RJ45 1Gbps Intel® I219LM (AMT/Vpro) 1 x RJ45 2.5Gbps Intel® I225V , 1 x ISO RJ45 1Gbps
Audio	3.5mm phone jack connector x 2 (Line-out, Mic-In)	
Video	1 x DP1.2/DP++ output, 1 x HDMI 1.4a output, 1 x HDMI-video input	
Reading light	Light bar x 2	
Control Hot Key (L to R)	Power // Audio adjustment+// Brightness+// Reading Light // Video Input Selection // LCD on/off // Clean me // Fn: Functional Key	
Cooling	Fanless	
Power Adapter	AC input 100~240V / 47 ~ 63 Hz / DC output 24V, 180W (External)	
Temperature	Operating Temperature: 0~35°C (IEC60068-2-78) / Storage Temperature: -20~60°C	
Humidity	Operating & Storage:10 ~ 90%, non-condensing	
IP Rating /Housing	IP65 (Front Side), IPx1 whole system / Plastic White w/Anti-bacteria (MRSA), Housing	
Dimensions (Net)	606 mm (H) x 398 mm (V) x 65.6 mm (T)	
Weights (Net)	9.7 kg (w/o power adapter/battery pack)	
Mounting	Optional Stand, VESA 100 x 100	
Certification	CE: EN 60601-1-2:2015(V4.0), MDR: MDR 2017/745 VCCI: 2016-11, Class B FCC: Part 18 Class B UL: ANSI/AAMI ES60601-1:2012 (V3.1) cUL: CAN/CSA-C22.2 No. 60601-1:2014 (V3.1) ISO 14971 / IEC62133	

ADPZ

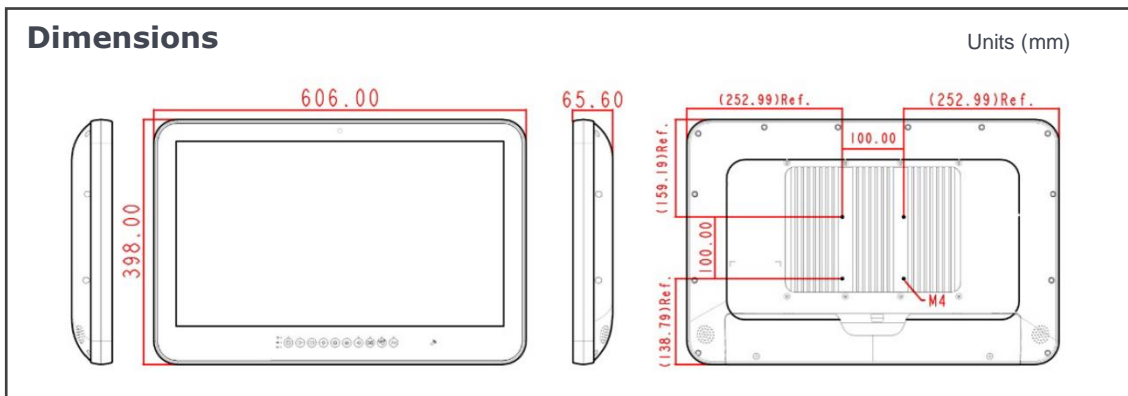
6 Rue de la Liberté - ZI de Combeplaine 42800 RIVE DE GIER

Tel : 04 77 83 77 03 Fax : 04 77 83 77 16

Site web : www.adpz.fr

WMP-24MD

Medical AIO Core™ Fanless



Major Options

Options	<ol style="list-style-type: none"> 1. WLAN + Bluetooth Module (Wi-Fi 5 / Wi-Fi 6) 2. Auto Focus 5M Pixel Webcam Module 3. M.2 2280 Module 4. RFID (13.56MHz) 5. TPM 2.0 Module or fTPM 6. Full HD Capture Card or 4K SC710N1 12G SDI Capture Card 7. Smart Card Reader at Side or CAC / PIV Reader (FIPS-201) / or DVD Drive 8. Rear IP54 9. 2.5" SSD 10. Equipotential Terminal Pin 11. AG Film (Can't Co-exist with DICOM Module) 12. DICOM Part 14 Compliance (Max. Error Ratio Less than 20%, Optional Order Configuration) 13. Integrated battery 28Wh x 1 (100W max.)
Power Cable	<ol style="list-style-type: none"> 1. 2M DC Extension Cable 2. Cable Clean IO Cover
Optional kits	<ol style="list-style-type: none"> 1. Anti-bacteria Stand 2. VESA Wall Mount
Customization	<ol style="list-style-type: none"> 1. Tempered Glass 1. 4K2K UHD Panel

Order Information

Item	Configuration
WMP-24MD-P0A-i5	Core i5-10500TE 2.3-3.7GHz / 4G RAM / M.2 128G SSD / Full flat P.cap touch / STD I.O.
WMP-24MD-P0A-i7	Core i7-10700TE 2.0-4.4GHz / 4G RAM / M.2 128G SSD / Full flat P.cap touch / STD I.O.
WMP-24MD-P0B-i5	Core i5-10500TE 2.3-3.7GHz / 4G RAM / M.2 128G SSD / Full flat P.cap touch / ISO I.O.

I.O. (STD)

