

# WMP-22JA

Medical AIO Core™ Fanless



## Specification

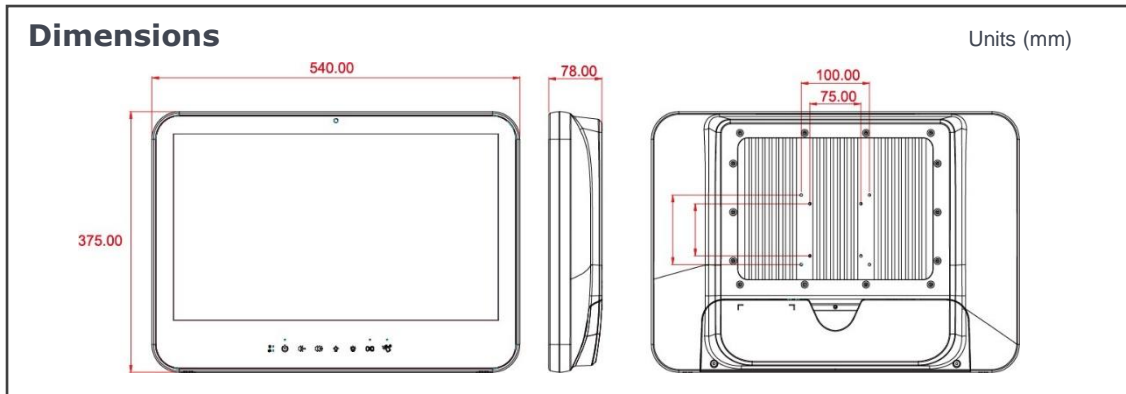
## Features

- Intel 8th generation Core i CPU (U series)
- 21.5" FHD (1920x1080) Diagnostic Panel
- The newest regulation MDR 2017/745
- Fanless solution
- Support Intel Vpro technology by CPU
- Anti-Bacteria (MRSA) Plastic Housing
- Support RAID 0,1
- Optional PCI-E x 4 riser card
- Optional USB/LAN/COM 4KV isolated module

Model	WMP-22JA IP0A (STD)	WMP-22JA IP0B (ISO)
CPU / Chipset	Intel® 8th generation Intel® Core i7/i5/i3 and Celeron processor (15W max.) / SoC	
Graphic	Intel® integrated UHD Graphics 620	
RAM	Two 2400 MHz DDR4 SODIMM socket support dual Channel, non-ECC, up to 64GB	
OS Support	Windows 10, Windows 11	
Storage	M.2 (M Key, 2242/2260/2280) with PCIe x4 & SATA3 for SSD x 1, 2.5" SATA3 HDD/SSD drive bay x 1,	
Expansion	PCI-E (x4) x1(20W max.), M.2 Type E x1	
Display Size	21.5" wide TFT-Color LCD (16:9)	
Display	1920 x 1080 (Full HD), 16.7M colors (RGB 6-bit + Hi FRC), 170(H) / 160(V), 250 nits (Typ. Center point), CR:1000 : 1 (Typ)	
Touch Screen	Full flat projective capacitive touch panel / Light Transmission: 90% ± 3% / Hardness: 7H pencil, pressure 750g/45° / Life: 100M times	
USB	USB 3.1 gen II x 4	USB 3.1 gen II x 4, ISO USB2.0 x 1
COM	RS232 x 1, RS232/RS422/RS485 x 1	RS-232 x 1, RS232/RS422/RS485 X 1, ISO RS-232 x 1, ISO RS232/RS422/RS485 X 1
LAN	RJ45 (Intel I219LM) x1, RJ45 (Intel I210) x 1	RJ45 (Intel I219LM) x1, RJ45 (Intel I210) x 1, ISO RJ45 X 1
Audio/ Video	3.5mm phone jack connector * 2 (Line-out, Mic-In) / HDMI 1.4 x 1, DP 1.2 x 1	
Control Hot Key (R to L)	Power Button// Audio adjustment // brightness // LCD on/off // Clean me	
Cooling	Fanless	
Power Input	DC-In x 1, DC 14~24V input	
Power Adapter	AC input 100~240V / 47 ~ 63 Hz / DC output 18V, 100W	
Temperature	Operating Temperature: 0~35°C (20W Expansion Card), 0~40°C (15W Expansion Card) / Storage Temperature: -20~60°C	
Humidity	Operating & Storage:10 ~ 90%, non-condensing	
IP Rating / Housing	IP65 at front side, IPx1 for whole system Plastic White w/Anti-bacteria (MRSA) Housing	
Dimensions (Net)	540.0mm (H) x 375mm (V) x 78mm (T)	
Weights (Net)	7.0 kg (w/o power adapter/battery pack)	
Mounting	VESA 75 x 75, 100 x 100	
Certification	CE: EN 60601-1-2:2015(V4.0), MDR: MDR 2017/745 (by Project) VCCI: 2016-11, Class B (PSU with PSE) (by Project), FCC: Part 18 Class B (by Project) UL: ANSI/AAMI ES60601-1:2012 (V3.1) (by Project), cUL: CAN/CSA-C22.2 No. EN60601-1:2014 (V3.1) (by Project), ISO 14971 / IEC62133 (by Project),	

# WMP-22JA

## Medical AIO Core™ Fanless



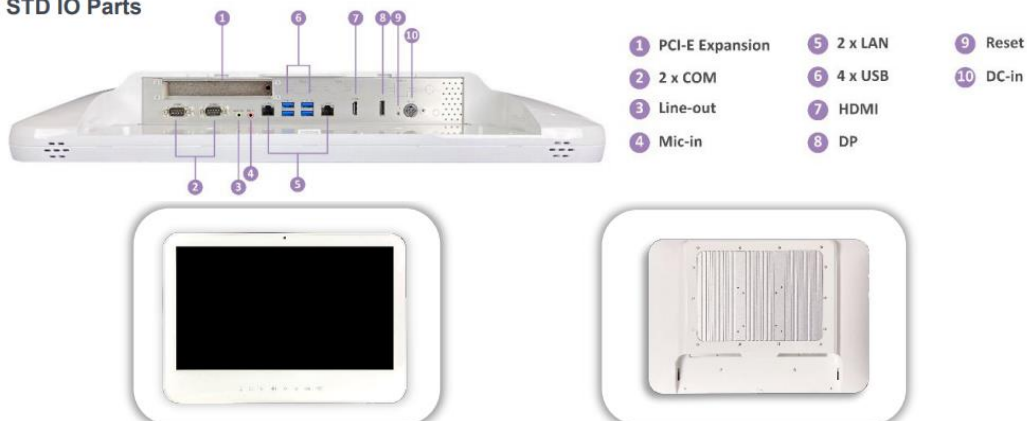
### Major Options

Options	<ol style="list-style-type: none"> <li>1. 802.11 ac/a/b/g/n WLAN + Bluetooth module</li> <li>2. 802.11 ax/a/b/g/n WLAN + Bluetooth module (Wifi-6)</li> <li>3. 3.2M pixel webcam module</li> <li>4. 2.5" SSD module</li> <li>5. M.2 type 2280 module</li> <li>6. RFID (13.56MHz)</li> <li>7. TPM 2.0 module</li> <li>8. Battery pack (100W max.)</li> <li>9. 5V1A power Jack (for Standard Type)</li> <li>10. COM3,4</li> <li>11. USB5,6</li> <li>12. Equipotential terminal pin</li> <li>13. AG film</li> <li>14. PCI-E x4 riser card</li> <li>15. Full HD capture card</li> <li>16. Isolated 4KV module (optional order configuration)</li> <li>17. Light sensor for LCD auto brightness</li> </ol>
Accessory	<ol style="list-style-type: none"> <li>1. Power adapter w/ 2m DC Extension Cable</li> <li>2. Power plug holder</li> <li>3. Cable Clean I/O cover</li> <li>4. Anti-bacteria Stand, VESA 100</li> </ol>
Customization	<ol style="list-style-type: none"> <li>1. Temper Glass</li> <li>2. COM port support 5V1A</li> <li>3. Touch with AG coating</li> <li>4. COM5,6 (New I/O bracket, remove USB5,6)</li> </ol>

## Order Information

Item	Configuration
WMP-22JA-IP0A-i5	Core i5-8265U 1.6GHz / 4G RAM / M.2 128G SSD / Full flat P.cap touch
WMP-22JA-IP0A-i7	Core i7-8565U 1.8GHz / 4G RAM / M.2 128G SSD / Full flat P.cap touch
WMP-22JA-IP0A-i5E	Core i5-8365UE 1.6GHz / 4G RAM / M.2 128G SSD / Full flat P.cap touch (support Vpro)
WMP-22JA-IP0B-i5	Core i5-8265U 1.6GHz / 4G RAM / M.2 128G SSD / Full flat P.cap touch ISO module

### STD IO Parts



ADPZ

6 Rue de la Liberté - ZI de Combeplaine 42800 RIVE DE GIER

Tel : 04 77 83 77 03 Fax : 04 77 83 77 16

Site web : [www.adpz.fr](http://www.adpz.fr)