

WMP-226



21.5" Wide Core i High Performance Medical Panel PC



Key Features

- Front full flat resistive touch with IP65 protection
- Anti-bacteria plastic housing and medical 60601-1 3rd edition certification
- 21.5" wide full HD 1920x1080 LCD w/ LED backlight
- Intel Core i3 / i5 / i7 & Celeron dual core 1.6G processor
- PCI-E/PCI expansion and two mini-PCIe sockets
- Variable speed low noise fan and HDD anti-vibration design
- Optional internal battery pack for 20 minutes operating
- Optional Wifi, Webcam, Bluetooth and RFID reader
- Customization for LAN/COM/USB isolation, change touch to glass

Main System

CPU	rPGA988B 2nd Generation Intel® Core i7 / i5 / i3 / Celeron® processor (35W max.)
Chipset	Intel® BD82HM65 PCH
Graphics	Celeron B810: Intel HD Graphics
Memory	8GB maximum, x 2 DDR3 SODIMM, 1066/1333MHz, 2GB/4GB/8GB
Serial ATA	SATA3 x 2, 600MB/s transfer rate
USB	x 7 (socket), USB 2.0 (x 4 external, x 3 internal)
COM	x 6 (x 2 external, x 4 internal)
Audio	Realtek ALC262 audio codec, 2+2 watts amplifier
LAN	Marvell 88E8071 Gigabit Ethernet x 2
BIOS	· AMI BIOS, 4M EEPROM · RTC wake up / Wake on LAN / Power on after power failure / PnP / ACPI
Speaker	1.5 watts x 2 (front bottom)

LCD Panel

Size	21.5" wide 16:9
Resolution	Full HD 1920 x 1080
Brightness	250 nits
Contrast	1000:1
Color numbers	16.7M (6-bit x 3 + Hi FRC)
Viewing angle	170 (H) / 160 (V)
Response time	5 ms (R + F)
Backlight	LED, 30,000 hours life time

Touch Panel

Type	Front full flat customized touch panel
Technology	Resistive touch, 5-wire
Light transmittance	> 78% (at 550 nm wavelength)
Hardness	3H
Touch stylus	No limitation
Resolution	4096 x 4096
Life time	35 million activations

Storage & Expansion

HDD	2.5" SATA HDD drive bay x 1 + anti-vibration kit, 160GB / 500GB
Expansion slot	· PCI-E (x16) x 1 (or PCI x 1) · Card size: 100 x 155 x 18/0.5 mm or 68 x 220 x 18/0.5 mm · Mini PCIe x 2 (52 pin card-edge type)

I/O & Control Keys

USB	USB 2.0 x 4
COM	RS232 x 1, RS232 / RS422 / RS485(RS485 support auto flow) x 1
LAN	RJ-45 x 2, Gigabit
Video-out	DVI-I x 1
Audio	Line-out, Microphone-in (3.5 mm phone-jack)
Power input	DC-in x 1, 6V~32V
Control keys	· Front side, projected capacitive type · Power on/off, Brightness, Audio volume, Backlight on/off, Touch on/off

Power

Power adaptor	External, 100 watts, 90~264V AC in, 12V DC out, medical grade, 1.2m DC cable
Power consumption	96W (Full loading) / 50W (standby)
Internal battery (optional)	· Li-Ion, 28Wh, for 20 minutes operating (approx.), 2S2P · Charge time: 2 hours (system off), 3.5 hours (system on)
System power input	· DC12V, others by optional DC-DC adapter

Mechanical & Environmental

Housing	· Front: Full flat design / Touch (standard), Glass (optional) · Rear: Plastic + I/O cover w/ antibacterial treatment
Color	· Housing: White · Control key icons: Grey
IP rating	IP65 – front side
Cooling	Variable speed smart fan design, < 30 dB (typical)
Mounting	VESA 75 x 75 / 100 x 100 mm
Kensington lock	Yes, x 1 at bottom
Dimension	540 x 375 x 78 mm (W x H x D, w/o stand)
Weight (net)	6.5 Kg (approximate, w/o power adaptor)
Temperature	· Operating – 0°C~40°C · Storage – -20°C~60°C
Humidity	Operating & storage – 10%~90%, non-condensing
Regulatory	· FCC-B, cUL, CE, VCCI · Medical 60601-1 3 rd edition (EN 60601-1:2006, ANSI/AAMI ES60601-1:2005, CAN/CSA C22.2 No. 60601-1:08)

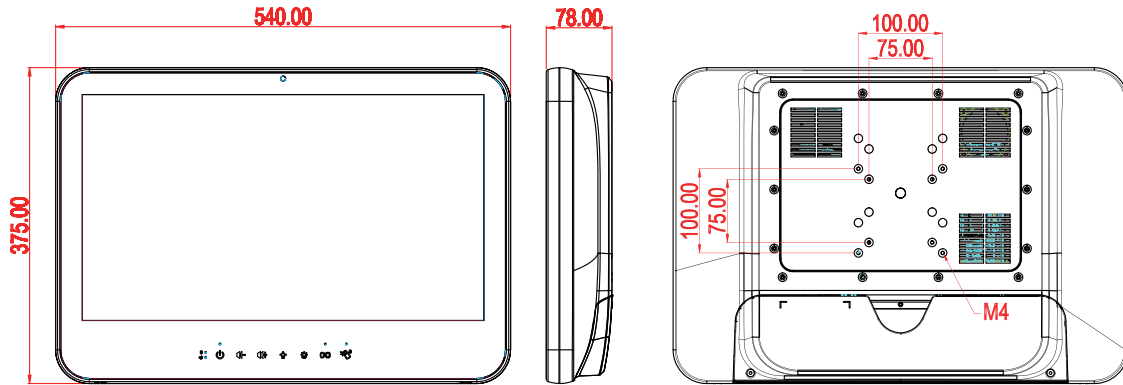
WMP-226



CLAVIERS - PANELS PC - BOÎTIERS

21.5" Wide Core i High Performance Medical Panel PC

Outline Dimension



Packaging / Options / Customization

Packaging Options

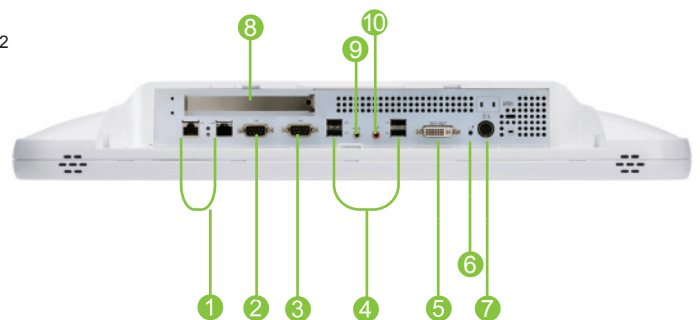
- System, power adaptor, AC power cord, CD (drivers & manual)
- WLAN – 802.11 a/b/g/n mini PCIe module w/ internal antenna x 2
- Bluetooth 2.1 (USB)
- Webcam (2M pixel, USB)
- Battery pack
- RFID reader (13.56Hz, USB)
- Power adaptor w/ 2.4m or 3.6m DC cable
- Anti-bacteria desktop stand (metal, white)

Customization

- Add extra two COM ports
- LAN isolation x 1
- Add COM isolation x 2 module (use expansion slot area)
- Add USB isolation x 1
- Change touch to glass
- Microphone on I/O cover (Configure of order service)



I/O Connectors



- 1 LAN x 2
- 2 RS232/422/485
- 3 RS232
- 4 USB x 4
- 5 DVI-I
- 6 Reset
- 7 DC-in
- 8 PCI-E/PCI expansion
- 9 Line-out
- 10 Microphone-in

Ordering Information

- WMP-226-IR0E0; Core i5-2410M 2.30GHz, DDR3 2G RAM, SATA 160G HDD, Full flat resistive touch, PCI-Ex16.6G

ADPZ

6 rue de la Liberté - ZI Combeplaine
42800 Rive de Gier

Tel : (33) 4 77 83 77 03 - Fax : (33) 4 77 83 77 16

Web site : www.adpz.fr